

TrapStation

TS 36-1 TS 36-2 Class 300, 1/2", 3/4"

Description

The equipment comes in two standard versions which differ in the direction of flow.

- ▶ TS36-1 (flow from left to right)
- ▶ TS36-2 (flow from right to left)

The inlet isolating valve is fitted with a red handwheel.

The isolating valve at the condensate outlet is fitted with a blue handwheel.

The blow-off valve and the strainer are mounted on the inlet side of the equipment.

The test valve is mounted on the condensate discharge side of the equipment.

A steam trap is not part of the supply.

Purpose and function

The equipment in conjunction with a steam trap that has to be attached to it is designed for removing condensate from steam. The two isolating valves make it possible to completely shut off the inlet and the condensate outlet separately from each other.

The blow-off valve can be used to:

- ▶ depressurise the equipment (only in conjunction with the test valve)

Purpose and function - continued -

- ▶ clean the strainer
 - ▶ check the isolating valve for tight shut-off
- The test valve can be used to:

- ▶ depressurise the equipment (only in conjunction with the blow-off valve)
- ▶ check the function of the fitted steam trap
- ▶ check the isolating valve for tight shut-off

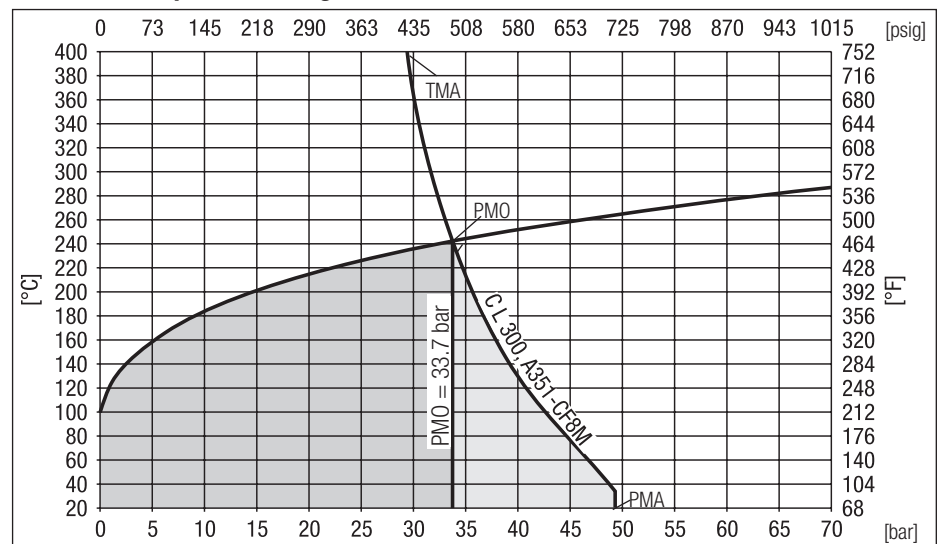
The equipment is installed in pipelines. The TrapStation can only work with a steam trap attached to it. The steam trap to be mounted must have a universal (Swivel) connector.

The following trap units of the GESTRA product range are designed to work with the TrapStation:

- ▶ Thermostatic steam trap BK 36 A/7
- ▶ Thermostatic steam trap MK 36 A/71
- ▶ Thermostatic steam trap MK 36 A/72
- ▶ Thermodynamic steam trap DK 36 A/7
- ▶ Inverted bucket steam trap IB 16A-7

You can also use steam traps with universal connector (Swivel) produced by other valve manufacturers.

Pressure & temperature ratings



PMO = Max. operating pressure, PMA = Max. allowable pressure, TMA = Max. allowable temperature

ASME B 16.5 Class 300 (PN 50) Material Group 2.2

p (pressure) [bar]	49.6	42.2	35.7	31.6	29.4
T (temperature) [°C]	38	100	200	300	400
PMO (max. operating pressure)	33.7 barg at 242 °C				

Based on ASME B 16.5, ASME B 16.34

ASME B 16.5 Class 300 (PN 50) Material Group 2.2

p (pressure) [psi]	720	613	519	460	425
T (temperature) [°F]	100	212	392	572	750
PMO (max. operating pressure)	489 barg at 467 °F				

Based on ASME B 16.5, ASME B 16.34

End connections

The equipment is available with the following end connections:

- ▶ Socket-weld ends
- ▶ Screwed sockets

Materials

Connector

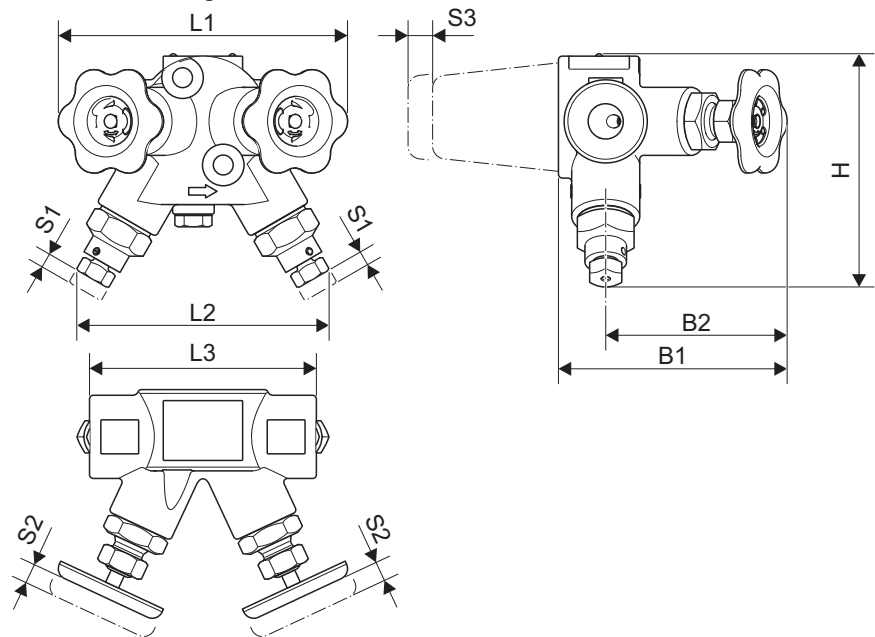
Component	EN	ASTM
Body	1.4408	A351-CF8M
Strainer	1.4301	A182-F304
Test valve	Stainless steel	
Blow-off valve	Stainless steel	

Isolating valves

Component	EN	ASTM
Handwheel	Steel, powder coated	
Stuffing box gland	1.4404	A182F-316L
Valve spindle	1.4021	
Stem	1.4301	A182-F304*
Flow body	1.4301	A182-F304*
Gasket	Graphite	
Nut	1.4301	A182-F304*

* Equivalent materials: Physical and chemical properties comply with DIN grade.
ASTM nearest equivalent grade is stated for guidance only.

Dimensions and weights



Nominal size DN	Screwed socket NPT, socket-weld ends, screwed sockets G		
	½"	¾"	1"*
B1	120 mm / 4.73"		
B2	96 mm / 3.78"		
H	130 mm / 5.12"		
L1	155 mm / 6.10"		
L2	135 mm / 5.32"		
L3	120 mm / 4.73"		
S1	35 mm / 1.38"		
S2	55 mm / 2.17"		
S3	20 mm / 0.79"		
Weight	3.3 kg / 7.28 lbs.		

*) On request

TrapStation

TS 36-1

TS 36-2

Specification Text

GESTRA TrapStation TS 36-1, TS 36-2
 End connection: Screwed sockets G, NPT, socket-weld ends
 Nominal size: ½", ¾"
 PMA 49.6 bar / 720psi
 TMA: 400 C / 752 F
 PMO: 33.7 bar / 489 psig at 242 C/467 F
 Material: 1.4408 / A351-CF8M
 Pressure rating: CL 300
 Fastener: 2 Hexagon-head cap screws
 Certification: 2.2 / 3.1

Important Notes

When ordering please state: Steam pressure, back pressure, condensate flowrate, place of installation of the equipment or type of steam user, direction of flow, nominal size and desired end connection.

If with steam trap: type specification

The following test certificates can be issued on request, at extra cost:

In accordance with EN 10204, -2.2 and 3.1.

All inspection requirements have to be stated with the order. After supply of the equipment certification cannot be established. Charges and extent of the above mentioned certificates are listed in our price list "Test and Inspection Charges for Standard Equipment". For other test certificates please consult us.

PED (Pressure Equipment Directive)

The equipment fulfills the requirements of the Pressure Equipment Directive PED 97/23/EC and can be used for the following fluids:

- Fluids of group 2

The equipment is excluded from the scope of the PED according to section 3.3 and must not bear a CE marking.

ATEX

The equipment does not have its own potential source of ignition and is therefore not subject to the ATEX Directive 94/9/EC.

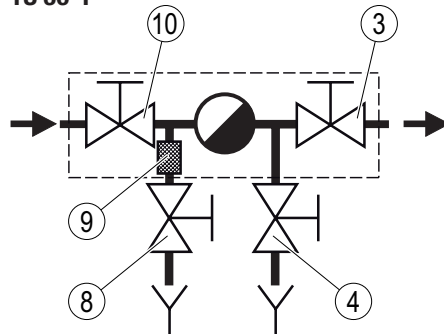
The equipment is not Ex marked.

- The equipment can be used in zones (surrounding atmosphere acc. to Directive 1999/92/EC) 0, 1, 2, 20, 21 and 22 (ATEX Directive 94/9/EC).

Supply in accordance with our general terms of business.

Schematic arrangement

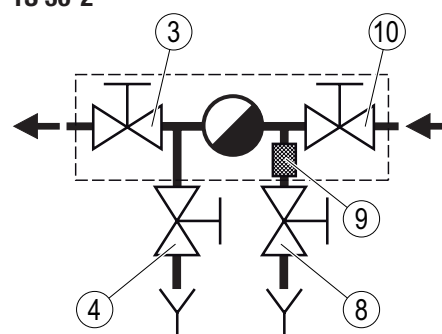
TS 36-1



The flow direction of the TS 36-1 is from left to right.

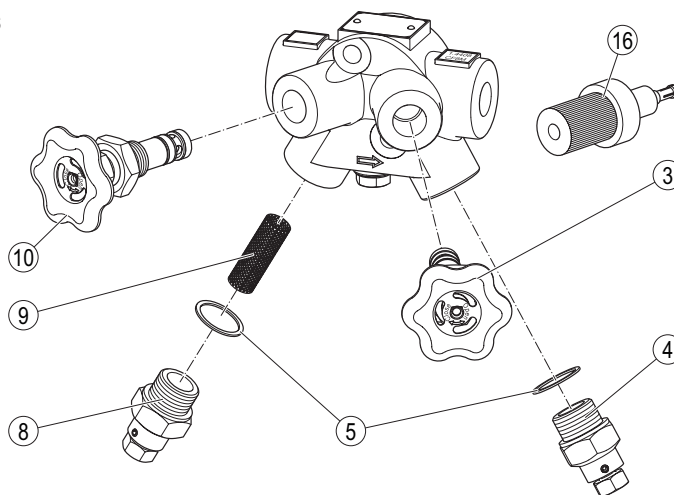
A steam trap is not part of the supply.

TS 36-2



The flow direction of the TS 36-2 is from right to left.

Spare Parts



No.	Designation	Qty.	Stock code no.
3	Isolating valve, complete, with blue handwheel (for outlet)	1	379195
4, 5	Test valve with gasket	1	379200
8, 9, 5	Blow-off valve with strainer and gasket	1	379205
10	Isolating valve, complete, with red handwheel (for inlet)	1	379190
16	Tool for removing, centering and mounting the stuffing box packing	1	379181

GESTRA AG

P. O. Box 10 54 60, D-28054 Bremen
 Münchener Str. 77, D-28215 Bremen
 Tel. 0049 (0) 421 35 03-0, Fax 0049 (0) 421 35 03-393
 E-mail gestra.ag@flowserve.com, Web www.gestra.de



Distributor : Energy Technology Co., Ltd.

Tel.: +66 2 721 3860 - Fax.: +66 2 721 3869 - E-mail: sales@energytechnology.co.th - http:// www.energytechnology.co.th