

IB 16A-7

## Inverted Bucket Steam Trap IB 16A-7

### Equipment specification

Steam trap made from stainless steel, with integral spiral wound gasket, suitable for fitting to a universal ("Swivel") connector.

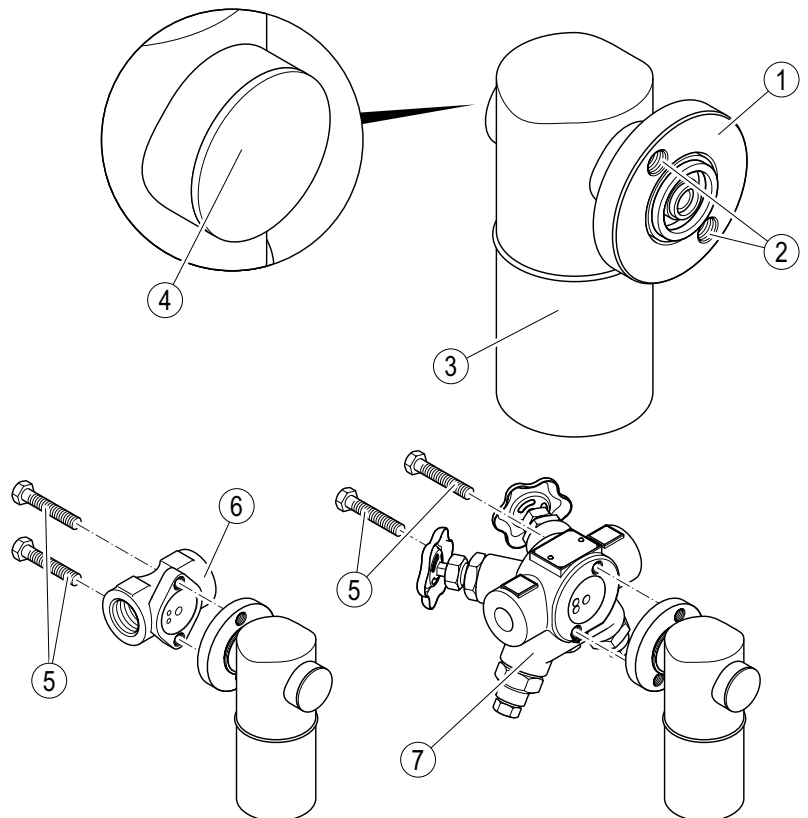
The inverted bucket steam trap is very robust, unaffected by corrosion and has an excellent ability to handle dirt.

The orifice, which is located in the upper part of the body, is controlled by the vertical movement of the inverted bucket. Air is vented through the small hole in the top of the inverted bucket.

The equipment is designed for initial installation or replacement for use with universal connectors. The ring flange (supplied but not fitted) is attached to the universal connector via two hexagon-head cap screws.

The equipment is available with GESTRA universal connector type UC 36 or UCY 36 or with GESTRA TrapStation TS 36.

The equipment is available with different orifices for various differential pressures  $\Delta PMX$ .



No.	Designation
1	Ring flange for universal ("Swivel") connector
2	Threaded bores
3	Body
4	Name plate

No.	Designation
5	Screws
6	UC 36 or UCY 36
7	TS 36-1 or TS 36-2

### Pressure & temperature ratings

$\Delta PMX$ [bar]	PMO	$\Delta PMX$ [psi]	PMO
4.8	28 bar at 425 °C	70	400 psig at 800 °F
8.6		125	
17.2		250	
27.6		400	

(values according to ASME BPVC Section VIII/1 UG-101)

# Inverted Bucket Steam Trap

## IB 16A-7

### Specification Text

GESTRA Steam trap for universal connector  
 Type: IB 16A-7  
 End connection: Universal connectors of all types and makes  
 PMO: 28 bar at 425 °C (400 °psig at 800 °F)  
 Body material: 1.4306/A240-304L

Optional GESTRA universal connector

- ▶ UC 36
- ▶ UCY 36

or GESTRA TrapStation

- ▶ TS 36-1
- ▶ TS 36-2

End connection: Screwed sockets G, NPT, socket-weld ends

Nominal size

- ▶ Universal connector: ½", ¾", 1"
- ▶ TrapStation: ½", ¾"

PMO: 33.7 bar at 242 °C (489 psig at 467 °F)

TMA: 400 °C (750 °F)

Material: 1.4408/A351-CF8M

Pressure rating: CL 300

Fastener: 2 hexagon-head cap screws

Inspection certification: 2.2/3.1

### Important Notes

When ordering please state:

- ▶ Steam pressure
- ▶ Back pressure
- ▶ Condensate flowrate
- ▶ Place of installation or type of steam user
- ▶ Size of orifice
- ▶ Nominal size and end connection
- ▶ With or without connector

If with connector:

Designation of the desired connector type

The following test certificates can be issued on request, at extra cost: In accordance with EN 10204, -2.2 and 3.1. All inspection requirements have to be stated with the order. After supply of the equipment certification cannot be established. Charges and extent of the above mentioned certificates are listed in our price list "Test and Inspection Charges for Standard Equipment". For other test certificates please consult us.

### PED (Pressure Equipment Directive)

The equipment fulfills the requirements of the Pressure Equipment Directive PED 97/23/EC and can be used for the following fluids:

- ▶ Fluids of group 2

The equipment is excluded from the scope of the PED according to section 3.3 and must not bear a CE marking.

### ATEX

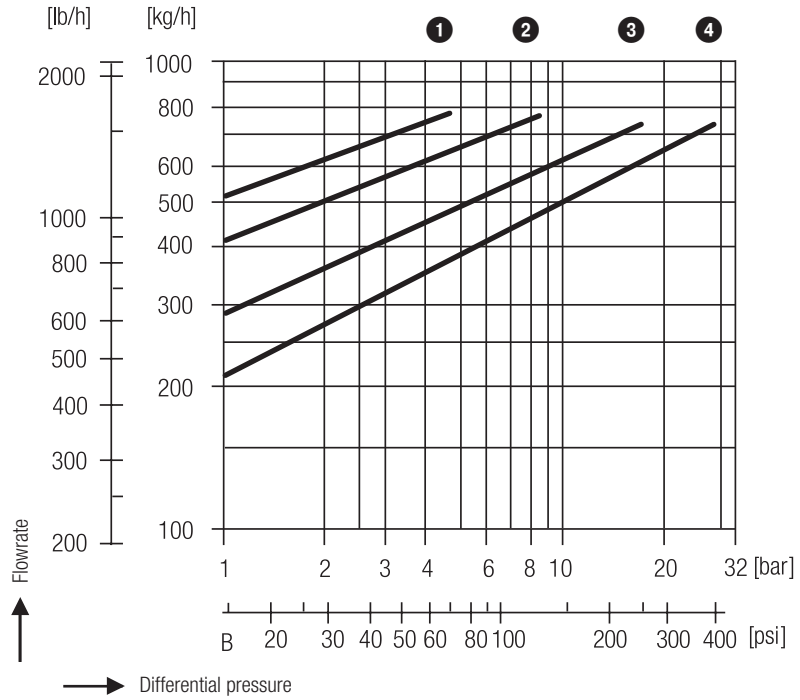
The equipment does not have its own potential source of ignition and is therefore not subject to the ATEX Directive 94/9/EC.

The equipment is not Ex marked.

- ▶ The equipment can be used in zones (surrounding atmosphere acc. to Directive 1999/92/EC) 0, 1, 2, 20, 21 and 22 (ATEX Directive 94/9/EC).

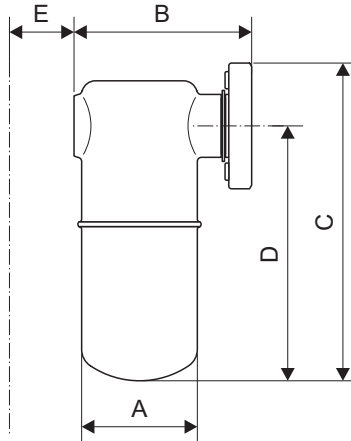
Supply in accordance with our general terms of business.

### Capacity Chart



	Orifice		ΔPMX	
	[mm]	[inch]	[bar]	[psi]
1	4.0	5/32	4.8	70
2	3.2	1/8	8.6	125
3	2.4	3/32	17.2	250
4	2.0	5/64	27.6	400

### Dimensions and Weights



Dimensions	[mm]	[inch]
A	66	2.6
B	104	4.1
C	178	7.0
D	142	5.6
E (withdrawal distance)	64	2.5

Weight	1.5 kg	3.3 lb
--------	--------	--------

### Materials

Component	EN	ASTM
Body	1.4306 <sup>1)</sup>	A240-304L
Internals	Stainless steel	Stainless steel

<sup>1)</sup> EN nearest equivalent is stated for guidance only. Observe the different physical and chemical properties of EN and ASTM materials!

## GESTRA AG

P. O. Box 10 54 60, D-28054 Bremen  
 Münchener Str. 77, D-28215 Bremen  
 Tel. 0049 (0) 421 / 35 03 - 0, Fax 0049 (0) 421 / 35 03-393  
 E-Mail gestra.ag@flowserve.com, Web www.gestra.de



**Distributor : Energy Technology Co., Ltd.**

**Tel.: +66 2 721 3860 - Fax.: +66 2 721 3869 - E-mail: sales@energytechnology.co.th - http:// www.energytechnology.co.th**