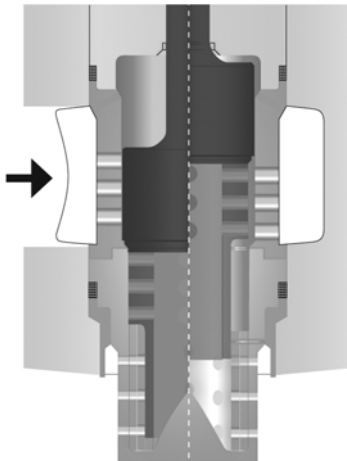


3-stage expansion with balanced pressure for ZK 613



Throttling unit A1/A2 with 4-stage expansion

Application

For large flowrates; used as

- Feedwater control valve
- Heating steam valve
- Start-up vessel drain valve

Features

- Excellent sealing and control characteristics

- Extremely wear resistant
- Valve designed on modular assembly principle
- Low sound level
- Easy assembly and inspection of nozzle insert
- Variable valve characteristics (linear and equal-percentage)
- k_{vs} range from 18 to 969 m^3/h
- Leakage-free pressure-balanced design

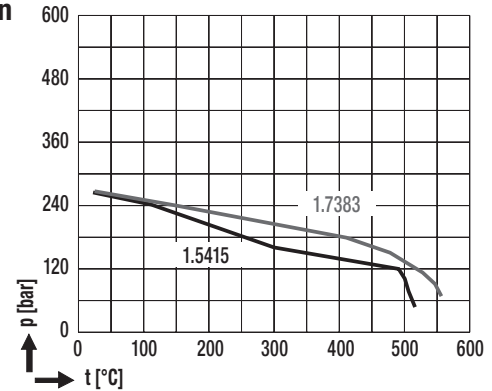
Technical Data

Max. K_{vs} values [m^3/h], designs, pressure/temperature ratings

ZK 610/ZK 613 Angle / Z pattern

DN	Δp (bar)				
	40	80	120	150	> 150
	1-stage	2-stage	3-stage	4-stage	5-stage
100	44 – 98	38 – 54	33 – 47	14 – 19	13 – 18
125	71 – 154	61 – 85	51 – 74	22 – 31	20 – 29
150	112 – 243	95 – 134	81 – 117	35 – 48	32 – 46
200	177 – 385	150 – 212	128 – 185	55 – 76	50 – 73
250	281 – 611	238 – 336	216 – 294	86 – 121	78 – 116
300	446 – 969	378 – 533	322 – 465	137 – 191	125 – 184

ZK 610 Angle / Z pattern



ZK 613 Angle / Z pattern

