



GESTRA

For further information, please contact

Distributor :

Energy Technology Co., Ltd.

436 Soi On-Nuch 39, Sukhumvit Rd., Suanluang, Bangkok 10250

Tel : (66) 0-2721-3860 Fax : (66) 0-2721-3869

E-mail : sales@energytechnology.co.th

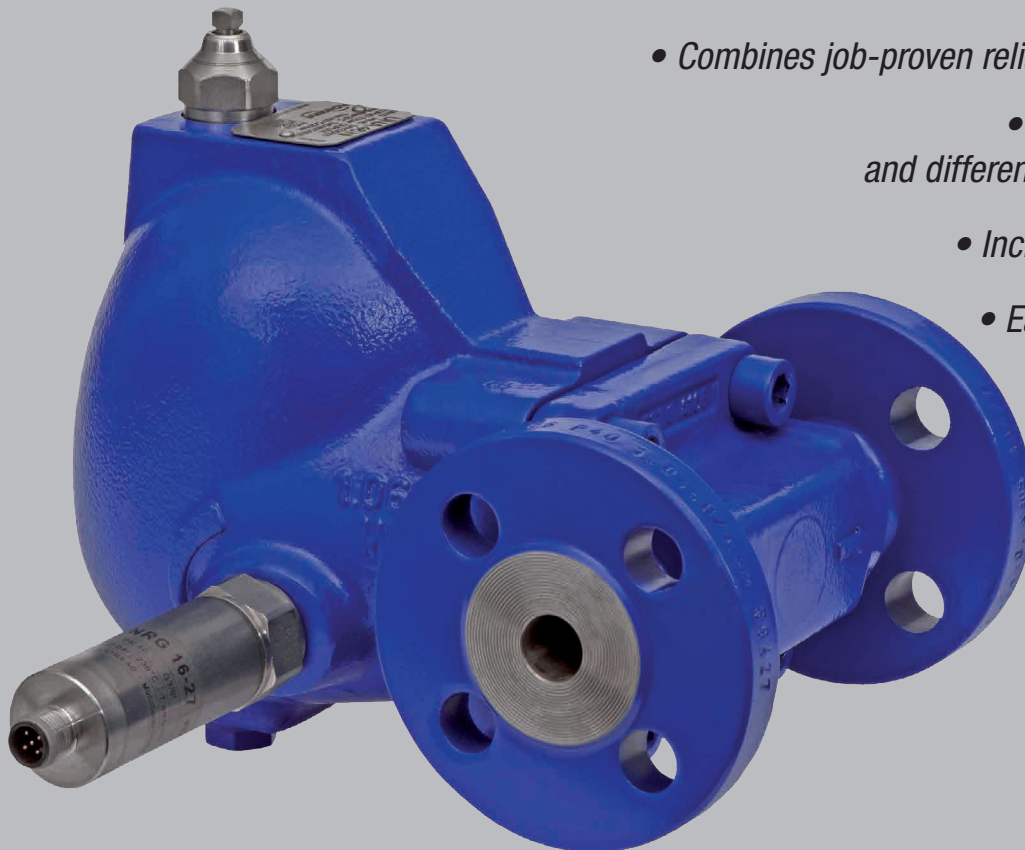
Website: www.energytechnology.co.th

GESTRA

Special

Ball Float Steam Traps UNA 45/46/46A

Reliability with Increased Flexibility



- *Combines job-proven reliability with new flexibility*
 - *Various end connections and different connection orientations*
- *Increased operational safety*
- *Easy to install and operate*
 - *New optional extras tailored to your needs*
 - *A versatile range for many applications*

Experience In Motion

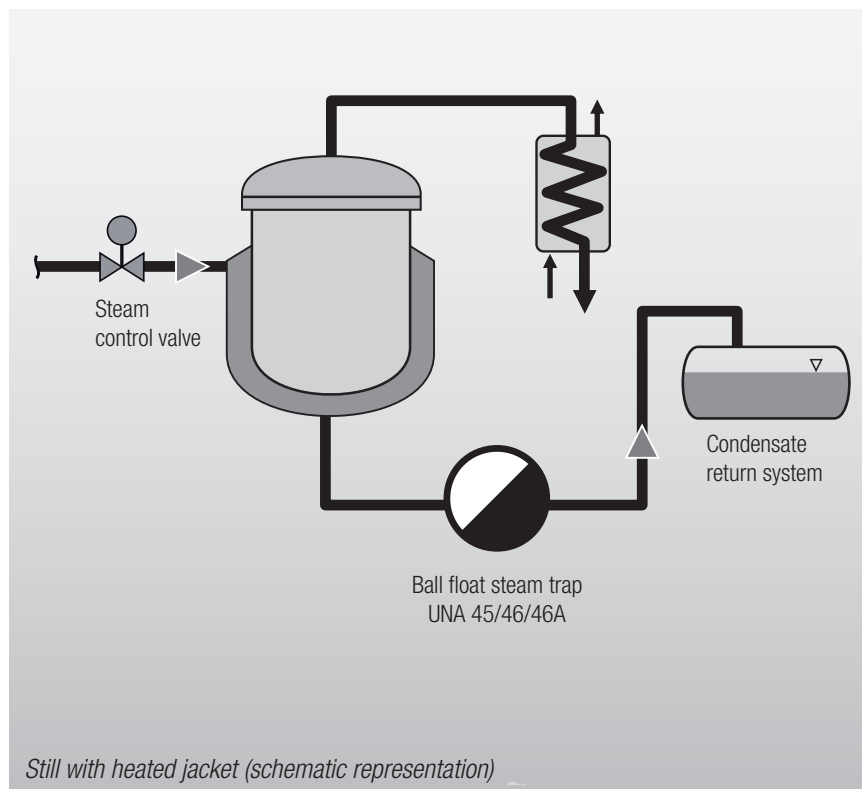
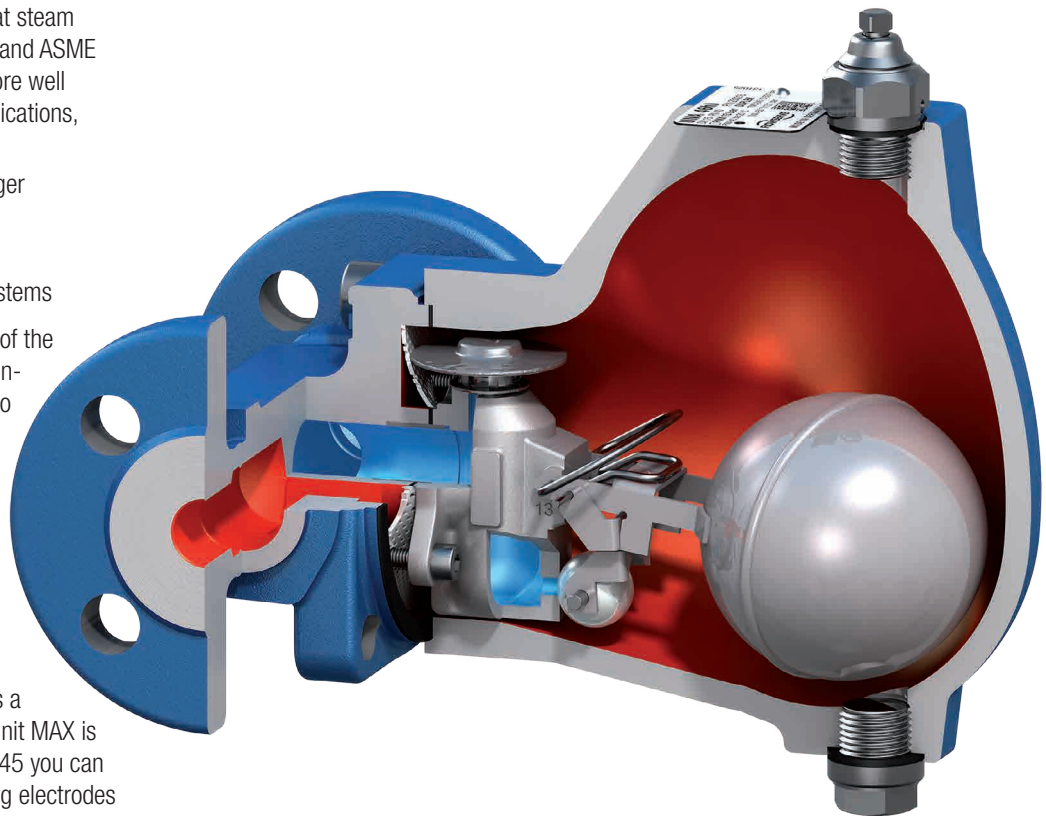
Ball Float Steam Traps UNA 45/46/46A

The new generation of ball float steam traps features 13 different EN and ASME end connections and is therefore well suited for a wide range of applications, such as:

- ▶ Steam-heated heat exchanger
- ▶ Steam lines
- ▶ Rotating cylinders
- ▶ Gas and compressed air systems

Thanks to the modular design of the steam trap the connection orientation can be adapted on site to the flow direction. All optional extras and end connections are available for horizontal and vertical equipment versions. The material and design of the forged trap body meets the requirements of EN and ASME rules and regulation.

For large condensate flowrates a bigger trap body with control unit MAX is available. When ordering UNA 45 you can opt for a special cover for fitting electrodes or a sightglass cover and choose between standard or MAX control unit.



At a glance

- ▶ DN 15 - 25 (½" – 1")
DN 40 - 65 (1½" – 2½")
- ▶ PN 40 / CLASS 300,
- ▶ Max. differential pressure 32 bar
- ▶ Rolling ball valve mechanism for orifice numbers A02 – A032
- ▶ Control unit MAX (DN 40 – 65) for large condensate flowrates, orifice numbers A04MAX – A032MAX >15,000 kg/h (hot condensate)

Optional extras:

- ▶ Manual float lifting lever
- ▶ Sightglass cover (UNA 45) PN 16/CL 150
- ▶ Externally adjustable internal bypass
- ▶ Cover for fitting electrodes (UNA 45) PN 40/CL 300
- ▶ Strainer
- ▶ Directions of flow: vertical or horizontal (left to right or right to left)

Features & Benefits

Suitable for all pipelines

Connections for horizontal or vertical flow direction



Flange EN
Flange ASME

Control unit

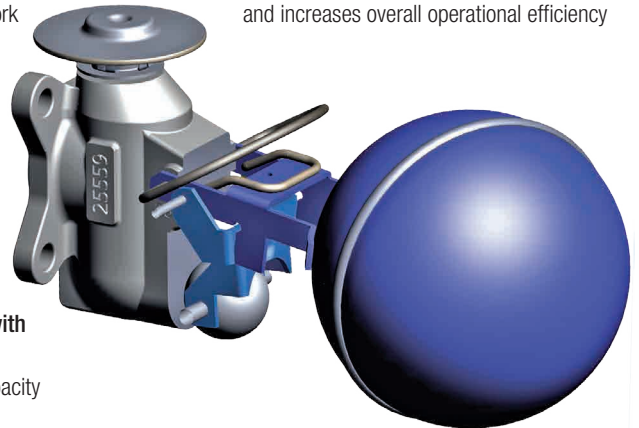
An anti-wear sleeve centers the control unit, protects the trap body and simplifies installation work

Proven rolling ball valve

Ensures long service life and steam tight shut-off

Proven MAX control unit with rolling ball mechanism

Combines large flowrate capacity with steam tight shut-off

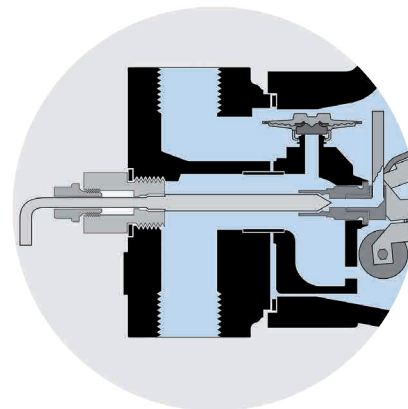


Improved air venting

The 5N2 membrane regulator used in the Duplex control unit reduces start-up time and increases overall operational efficiency



Screwed sockets ISO-G or NPT
Socket-weld ends EN or ASME
Butt-weld ends EN or ASME



Internal bypass

Externally adjustable, with separate seat



Trap monitoring for steam loss or banking-up of condensate

Electrodes installed directly in trap cover

Pressure & Temperature Limits *)

*) for body/cover

	PN Class	ΔPMX [bar]	EN	ASTM	PMA	TMA	p / T *)	
					[bar]	[°C]	[bar / °C]	
UNA 45	PN 40	32	1.0460	A105 (A395)	40.0	350	33.3 / 200	25.7 / 350
	CL 300		5.3103		51.1	345	43.8 / 200	37.8 / 345
UNA 46	PN 40		1.0460	A105 A216WCB	40.0	450	27.6 / 300	13.1 / 450
	CL 300		1.0619		51.1	425	39.8 / 300	28.8 / 425
UNA 46A	PN 40		1.4404	F316L CF8M	40.0	450	27.6 / 300	25.0 / 450
	CL 300		1.4408		41.4	425	26.1 / 300	23.9 / 425

For further information, please contact

Distributor :

Energy Technology Co., Ltd.

436 Soi On-Nuch 39, Sukhumvit Rd., Suanluang, Bangkok 10250

Tel : (66) 0-2721-3860 Fax : (66) 0-2721-3869

E-mail : sales@energytechnology.co.th

Website: www.energytechnology.co.th

GESTRA AG

Münchener Str. 77, D-28215 Bremen

P. O. Box 10 54 60, D-28054 Bremen

Tel. 0049 (0) 421-35 03-0

Fax 0049 (0) 421-35 03-393

E-Mail gestra.ag@flowserve.com

Web www.gestra.de

