

GESTRA Steam Systems

Product Range A1

Steam Trap

UBK 46

PN 40

DN 15, 20, 25 (½", ¾", 1")

UBK 46

Description

Thermostatic/thermodynamic steam trap (for banking-up condensate) with adjustable discharge temperature. Flash steam is avoided. Specially designed to discharge condensate at the adjusted constant discharge temperature.

Design: With corrosion-resistant Thermovit regulator (made from Duo stainless steel) unaffected by waterhammer and Y-type large-surface strainer.

Main application: Steam heated tracing systems.

Pressure /Temperature Ratings & End Connections

UBK 46, flanged PN 40, EN 1092-1							
PMA (max. allowable pressure)	[barg]	40.0	33.3	27.6	25.7	23.8	13.1
TMA (max. allowable temperature)	[°C]	20	200	300	350	400	450
Δ PMX (admissible differential pressure)	[bar]	32					

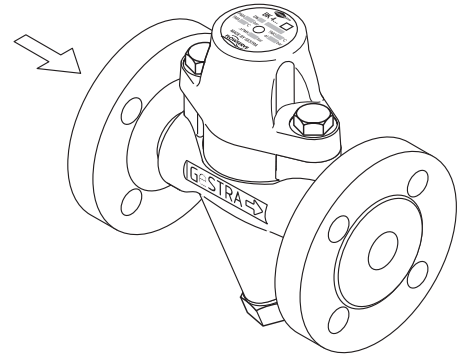
Based on EN 1092-1

UBK 46, flanged Class 150, ASME B16.5							
PMA (max. allowable pressure)	[barg]	19.6	13.8	10.2	8.4	6.5	5.5
TMA (max. allowable temperature)	[°C]	-29/38	200	300	350	400	425
Δ PMX (admissible differential pressure)	[bar]	32					

Based on ASME B16.5, ASME B16.34

UBK 46, flanged Class 300, ASME B16.5, butt-weld ends EN 12627 socket-weld ends EN 12760, socket-weld ends Class 3000, ASME B16.11 screwed sockets BSP, ISO 228-1, screwed sockets NPT, ASME B16.11							
PMA (max. allowable pressure)	[barg]	51.1	43.8	39.8	37.6	34.7	28.8
TMA (max. allowable temperature)	[°C]	-29/38	200	300	350	400	425
Δ PMX (admissible differential pressure)	[bar]	32					

Based on ASME B16.5, ASME B16.34

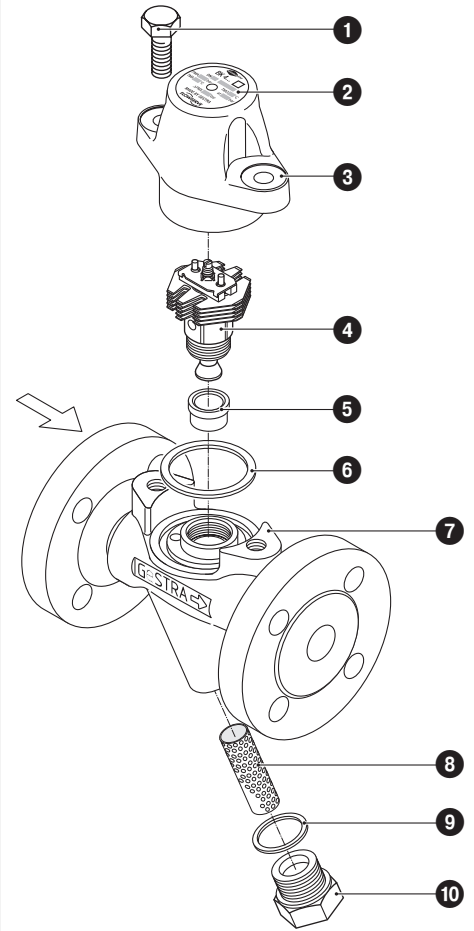


Shown: UBK 46 with flanges

Materials

Type	UBK 46	
Designation	DIN / EN	ASME
Body and cover	1.0460	A105
Hexagon-head cap screws	1.7225	A193 B7
Gasket	Graphite/CrNi	
Regulator with Duo S. S. plates	Stainless steel	
Other internals	High grade steels	

Component Parts UBK 46

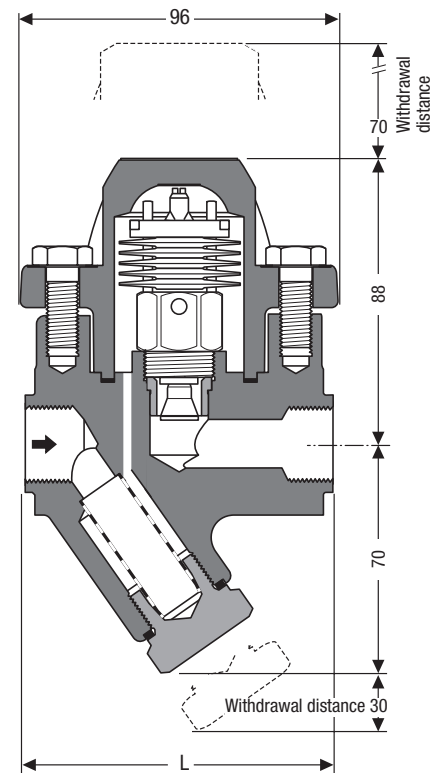
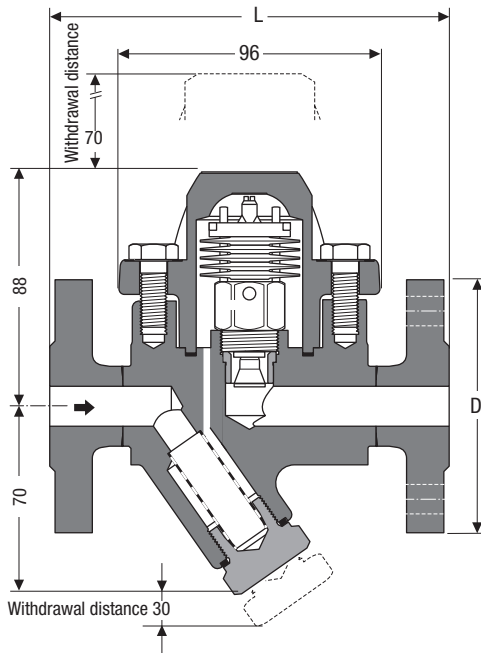


Key

- ① Hexagon-head screw M 10 x 25
- ② Name plate
- ③ Cover
- ④ Thermovit regulator
- ⑤ Bushing (interference fitted, no spare part)
- ⑥ Gasket 40 x 48 x 2
- ⑦ Enclosure
- ⑧ Strainer
- ⑨ Gasket A 24 x 29
- ⑩ Sealing plug

Spare parts list see page 3

Dimensions



Weights and dimensions for traps with flanged ends

Type	Flanged to	EN 1092-1 PN 40			ASME B 16.5 Class 150			ASME B 16.5 Class 300		
		15	20	25	15	20	25	15	20	25
UBK 46	DN	1/2"	3/4"	1"	1/2"	3/4"	1"	1/2"	3/4"	1"
	D [mm]	95	105	115	88,9	98,4	107,9	95,2	117,5	123,8
	L [mm]	150	150	160	150	150	160	150	150	160
	[kg]	3.7	4.3	4.8	3.7	4.3	4.8	3.7	4.3	4.8

Weights and dimensions for traps with butt-weld ends

Type	Butt-weld ends to	EN 12627 Edge form to ISO 9692, code number 1.3			ASME B 16.25 ASME B 36.10		
		15	20	25	15	20	25
UBK 46	DN	1/2"	3/4"	1"	1/2"	3/4"	1"
	for pipe	21.3 x 2.0	26.9 x 2.3	33.7 x 2.6	21.3 x 2.8	26.7 x 2.9	33.4 x 3.4
	L [mm]	200	200	200	200	200	200
	[kg]	2.5	2.5	2.5	2.5	2.5	2.5

Butt-weld ends for other pipe sizes available on request.

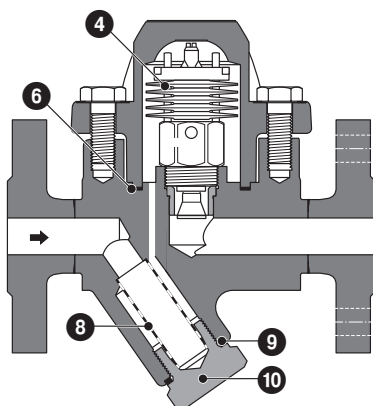
Weights and dimensions for traps with socket-weld ends

Type	Socket-weld ends to	DIN EN 12760, ASME B 16.11 Class 3000		
UBK 46	DN	15	20	25
		1/2"	3/4"	1"
	L [mm]	95	95	95
	[kg]	2.2	2.1	2.0

Weights and dimensions for traps with screwed sockets

Type	Screwed sockets to	BSP: ISO 228-1, NPT: ASME B 16.11		
UBK 46	DN	15	20	25
		1/2"	3/4"	1"
	L [mm]	95	95	95
	[kg]	2.2	2.1	2.0

Spare Parts



Item	Designation	Stock code UBK 46
4 6	Thermovit regulator with gasket	375 324
8 9 10	Strainer set, cpl.	375 113
6	Gasket*) 40 x 48 x 2, graphite	375 159
9	Gasket*) A 24 x 29, stainless steel	375 162

*) Minimum purchasing quantity 50 items. For smaller quantities please contact your local dealer.

Steam Trap

UBK 46

PN 40

DN 15, 20, 25 (½", ¾", 1")

Capacity Charts

The flowrates indicated in the table are rated for traps with factory setting and discharge to atmospheric pressure.

Specification Text

GESTRA Steam trap, DN 15 / 20 / 25

Type: UBK 46 (1.0460)

End connection: Flanges / socket-weld ends /
butt-weld ends / screwed sockets

Nominal size: DN 15 / 20 / 25 / ½"/¾"/1"

Pressure rating: PN 40 / CL 150 / CL 300

Regulator: Standard

Inspection & Certification

Documentation regarding material tests and in-house examination with test report EN10204-2.2 or inspection certificate EN10204-3.1 available at extra cost. All inspection requirements have to be stated with the enquiry or order. After supply of the equipment certification cannot be established. Charges and extent of the above mentioned test certificates as well as the different tests confirmed therein are listed in our Price List "Test and Inspection Charges for Standard Equipment". For other tests and inspections than those listed above, please consult us.

PED (Pressure Equipment Directive)

The equipment fulfills the requirements of the Pressure Equipment Directive PED 97/23/EC. For use with fluids of group 2.

The equipment is excluded from the scope of the PED according to section 3.3 and must not bear a CE marking.

ATEX (Atmosphère Explosible)

The equipment does not have its own potential source of ignition and is therefore not subject to the ATEX Directive 94/9/EC. Applicable in Ex zones 0, 1, 2, 20, 21, 22 (1999/92/EC). The equipment is not Ex marked.

Supply in accordance with our general terms of business.

Flowrates, opening temperatures UBK 46

Service pressure [bar]	1	2	4	8	12	16	20	26	32
Opening temperature (at factory setting) [°C]	60	64	72	84	93	102	110	118	128
Capacity at t 10 K below opening temperature [kg/h]	30	60	90	120	130	140	150	160	170
Cold condensate capacity at 20 °C (start-up capacity) [kg/h]	250	320	480	760	1020	1280	1500	1780	2040

GESTRA AG

P. O. Box 10 54 60, D-28054 Bremen

Münchener Str. 77, D-28215 Bremen

Telephone +49 (0) 421 35 03 - 0, Fax +49 (0) 421 35 03-393

E-Mail gestra.ag@flowserve.com, Internet www.gestra.de



GESTRA

Distributor : Energy Technology Co., Ltd.

Tel.: +66 2 721 3860 - Fax.: +66 2 721 3869 - E-mail: sales@energytechnology.co.th - [http:// www.energytechnology.co.th](http://www.energytechnology.co.th)