

GESTRA Steam Systems

Product Range B

Conductivity Switch LRGS 15-1

LRGS 15-1

Description

The conductivity switch LRGS 15-1 is a compact system consisting of a conductivity monitoring electrode and a conductivity switch integrated in the terminal box.

The LRGS 15-1 is used as limit switch and continuous blowdown controller in steam boilers.

The conductivity switch LRGS 15-1 must only be operated outside the European Union!

Function

The conductivity switch works according to the conductometric measuring method, continuously sensing the electrical conductivity of the boiler water and thus taking a direct measurement of the total dissolved solids (TDS).

The conductivity switch features an integrated 2-position controller for actuating a continuous blowdown valve and automatic closing of the valve on boiler shut-down. Furthermore, an additional adjustable contact outputs a signal when a limit is reached.

The electrical conductivity being a function of temperature, the measured value must be based on a reference temperature of 25 °C. For calibration purposes a reference measurement (at 25 °C) is therefore required.

If, however, a resistance thermometer (boiler water temperature) is applied, the adjustable temperature coefficient can be used to compensate the obtained conductivity values. This means that the conductivity reading will not be affected by variations in pressure and temperature.

Electrical conductivity is measured in units of micro-Siemens per centimeter (µS/cm). However, in some countries the unit ppm (parts per million) is used. Conversion: 1 µS/cm = 0.5 ppm. The conductivity switch can be switched to either µS/cm or ppm.

Technical Data

Service pressure

LRGS 15-1: 25 bar at 224 °C

Mechanical connection

Screwed ¾", EN ISO 228-1

Screwed ¾" NPT (optional)

Materials

Electrode body for screwing in place:

1.4571, X6CrNiMoTi17-12-2 or

1.4404, A 479 316 L (for NPT thread)

Measuring electrode: 1.4571, X6CrNiMoTi17-12-2

Electrode rod insulation: PTFE

Terminal box: Polycarbonate

Measuring length & length of installation

200, 300, 400, 500, 600, 800, 1000 mm

Input

1 Input for resistance thermometer, e. g. TRG 5-53, measuring insert Pt 100

Measuring range

100 to 10000 µS/cm at 25 °C or 50 to 5000 ppm at 25 °C

Setpoint

Adjustable between 100 and 10000 µS/cm or 50 to 5000 ppm

MAX limit

Adjustable between 100 and 10000 µS/cm or 50 to 5000 ppm

Switching hysteresis

Controller output: -10 % of the adjusted setpoint
MAX limit: -3 % of the adjusted MAX limit

Technical Data – continued –

Temperature coefficient T_k

(if a resistance thermometer Pt 100 is connected)
1.6 – 3.0 % per °C, adjustable in steps of 0.1

Supply voltages

230 V, +10 / -15 %, 50-60 Hz

115 V, +10 / -15 %, 50-60 Hz (optional)

Power consumption

5 VA

Fuse

External slow-blow fuse, 63 mA

Output

3 Volt-free relay contacts

Max. contact ratings with a switching voltage of 115 V AC and 230 V AC: resistive / inductive 4 A.

Provide contactor with inference suppressor (RC combination).

Contact material: AgNi 0.15

Indicators and adjusters

1 Four-digit, seven-segment indicator, red, for showing the actual value (X) / setpoint (W) and status & malfunction messages

2 Amber LEDs for indicating the actual value (X) / setpoint (W)

1 Red LED for indicating the MAX limit

2 Green LEDs for indicating "Valve OPEN / CLOSED"

4 Pushbuttons for parameter settings

Cable entry / Electric connection

Cable glands with integrated cable clamp,

3 x M 16 x 1.5

1 Four-pole screw-type terminal strip for mains connection

1 Three-pole screw-type terminal strip for connecting the continuous blowdown valve

1 Three-pole screw-type terminal strip for MAX limit

The terminal strips can be detached;

conductor size 1.5 mm²

4 Terminal lugs for connecting the resistance thermometer

Protection

IP 65 to DIN EN 60529

Protection class

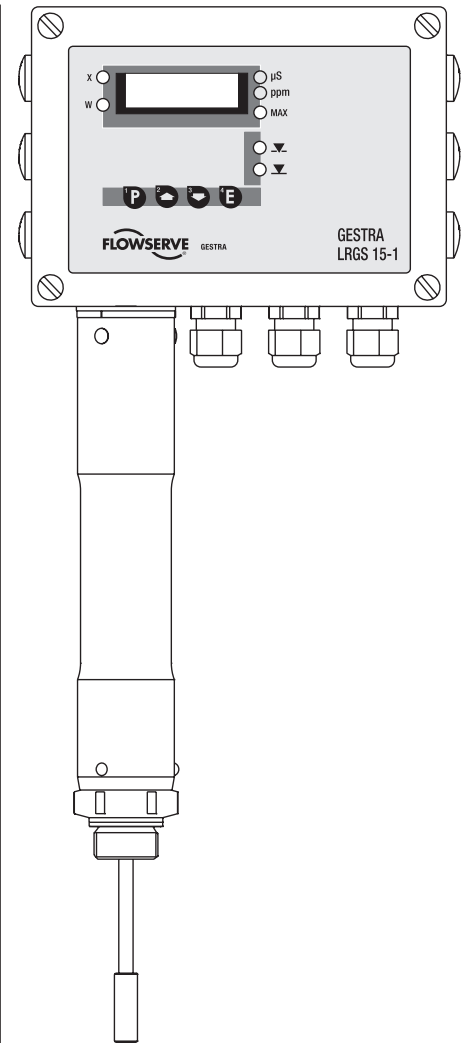
2 (protective insulation)

Ambient temperature

Max. 70 °C

Weight

Approx. 1.5 kg



LRGS 15-1

Attention:

The conductivity switch LRGS 15-1 must only be operated outside the European Union!

Conductivity Switch LRGS 15-1

Information for project engineering

The conductivity switch can be installed in a horizontal, vertical or inclined position. The terminal box can be re-positioned to suit the corresponding plane of installation (see "Example of Installation").

Cable recommended for wiring: multi-core flexible control line, min. conductor size 0.75 mm².

For disconnecting the conductivity switch install an easily accessible disconnect switch in the close proximity of the equipment.

Order & Enquiry Specification

GESTRA Compact system LRGS 15-1

Conductivity sensor with integrated conductivity controller incl. display

Pressure rating: PN 25 / Connection 3/4"

Length supplied:

Measuring range 100 – 10000 µS/cm / 50 – 5000 ppm

Outputs: Volt-free contacts for

- Continuous blowdown valve BAE
- MAX limit

Inputs: External PT 100 resistance thermometer

Indicator: Four-digit, seven-segment display for

- Actual value
- Setpoint
- Parameters
- Temperature
- Error / status messages

5 Status LEDs

Adjustors

4 Keys in front panel

Material:

Terminal box: 1.4571

Measuring tip: 1.4571

Electrode head: Polycarbonate

Protection: IP 65

Supply voltage: 230 V / 50...60 Hz

Optional: 115 V / 50...60 Hz

Weight: 1.5 kg

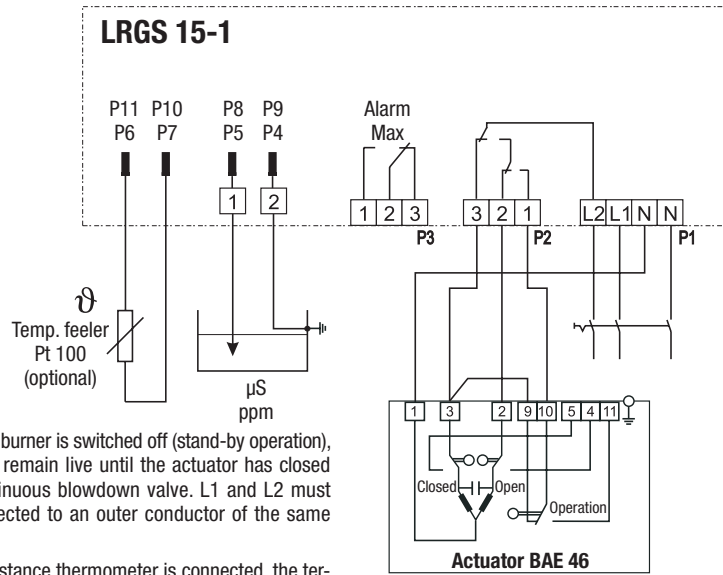
Stock code: 377.32.XXX

Key

- E** Length of installation
- D** Joint ring 27 x 32, form D, DIN 7603, 1.4301, bright annealed
- P** Boiler drum
- Q** Shut-off valve GAV
- R** Continuous blowdown valve BAE
- S** Measuring pot
- T** T-type connector

Supply in accordance with our general terms of business.

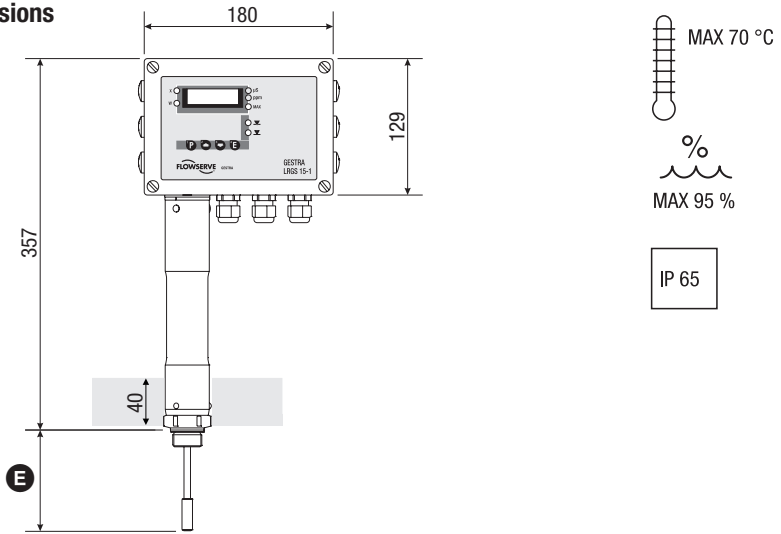
Electrical Connection



After the burner is switched off (stand-by operation), L2 must remain live until the actuator has closed the continuous blowdown valve. L1 and L2 must be connected to an outer conductor of the same phase.

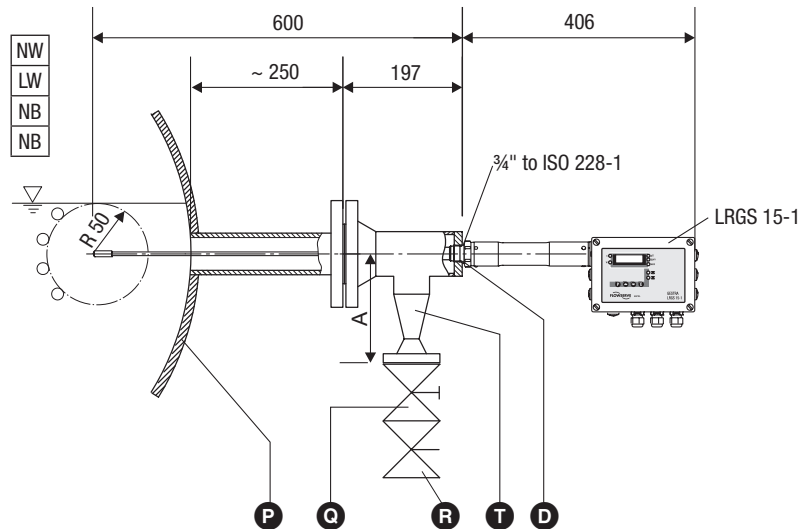
If no resistance thermometer is connected, the terminal lugs P 6, 7, 10 and 11 remain unassigned.

Dimensions



Example of Installation

LRGS 15-1 used for continuous blowdown control



GESTRA AG

P.O. Box 10 54 60, D-28054 Bremen

Münchener Str. 77, D-28215 Bremen

Telephone +49 (0) 421 35 03 -0, Fax +49 (0) 421 35 03-339

E-Mail gestra.ag@flowsolve.com, Internet www.gestra.de



GESTRA

Distributor : Energy Technology Co., Ltd.

Tel.: +66 2 721 3860 - Fax.: +66 2 721 3869 - E-mail: sales@energytechnology.co.th - http:// www.energytechnology.co.th