

GESTRA Steam Systems

Product Range C4

Sample Coolers
PK

PK

Pressure / Temperature Ratings

Type	PK-16 K	PK-32 N	PK-145 N
Max. service pressure	16 barg 230 psig	32 barg 465 psig	145 barg 2100 psig
Max. temperature	200 °C	250 °C	340 °C

Materials

Shell: Carbon steel
Cooling coil: Copper or stainless steel

Application

GESTRA sample coolers are specially designed for taking samples of boiler water for analysis. They prevent steam flashing off from the sample which is both dangerous and results in an incorrect boiler water analysis.

They may also be used for other sampling or cooling applications where the materials of construction are suitable.

Available Designs

All sample coolers type PK are constructed from a carbon steel shell suitable for cooling-water pressures up to 14 barg (200 psig).

They are available with a bolted top plate (removable coil) to allow cleaning and inspection of the coil.

Type PK-16 K for boiler pressures up to 16 barg (230 psig)

Copper coil with brass compression fittings. Removable coil.

Type PK-32 N for boiler pressures up to 32 barg (465 psig)

Stainless steel coil with carbon steel compression fittings fitted with stainless steel olives. Removable coil.

Type PK-145 N for boiler pressures up to 145 barg (2100 psig)

Stainless steel coil with carbon steel compression fittings fitted with stainless steel olives. Removable coil.

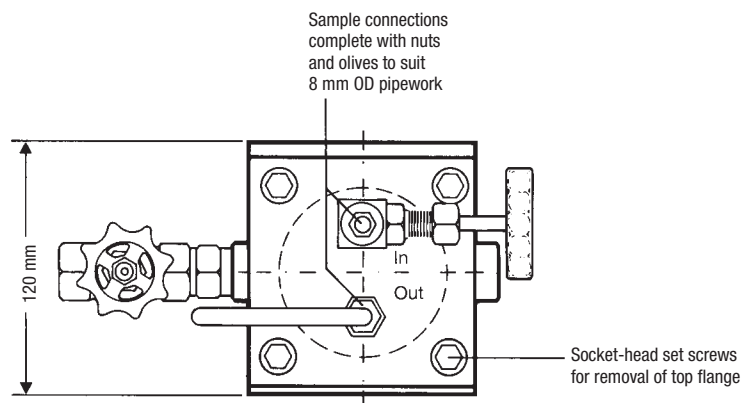
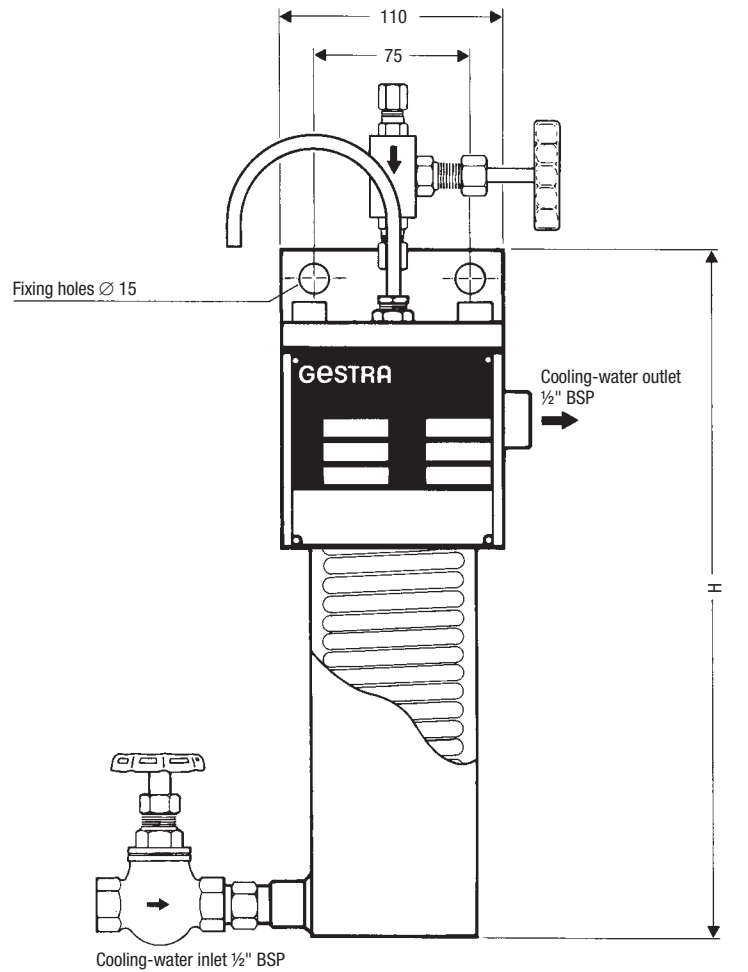
Continuous Sampling

For continuous sampling applications use the sample cooler type PK-145 N which has a longer coil for a greater cooling effect.

Special Sample Coolers

A range of special sample coolers is also available. These include coolers with stainless steel compression fittings and coolers constructed in stainless steel throughout.

Dimensions and Weights



Type	H [mm]	Weight [kg]
PK-16 K, PK-32 N	375	6.0
PK-145 N	475	7.5

Sample Coolers PK

Valve Assemblies

For use with sample coolers consisting of a sample inlet valve, cooling-water inlet valve, nipple, coupling tube and discharge spout.

Sample inlet valve

For fitting in the sample line upstream of the sample cooler. The valve is screwed ¼" BSP and is supplied fitted with 8 mm OD carbon steel compression fittings to suit the sample cooler.

Max. pressure: 145 barg (2100 psig)
Max. temperature: 340 °C
Body material: Carbon steel
Valve-spindle material: Stainless steel

Cooling-water inlet valve

For fitting on the cooling-water inlet connection of the sample cooler.

The valve is screwed ½" BSP and a ½" BSP malleable cast iron nipple is supplied to suit the sample cooler.

Bronze body suitable for cooling-water pressure up to 14 barg (200 psig).

Coupling tube

For joining the sample cooler to the sample inlet valve.

Supplied in 8 mm OD tube:

Copper for sample coolers type PK-16 K.

Stainless steel for sample coolers type PK-32 N and PK-145 N.

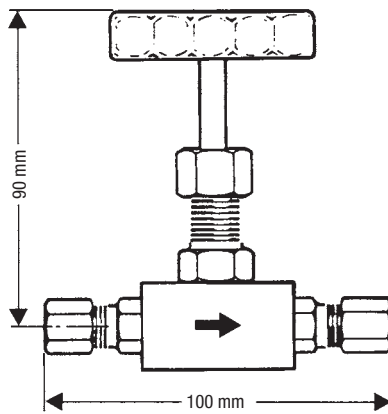
Discharge spout

For discharging the sample from the cooler.

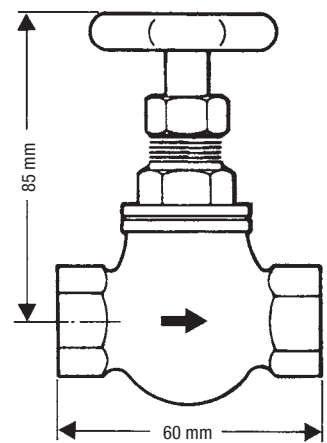
Supplied in 8 mm OD tube:

Copper for sample coolers type PK-16 K.

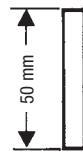
Stainless steel for sample coolers type PK-32 N and PK-145 N.



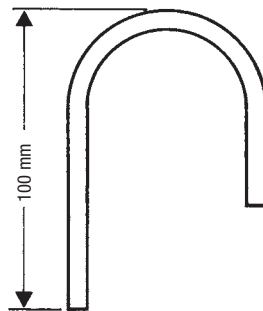
Sample inlet valve



Cooling-water inlet valve



Coupling tube



Discharge spout

Supply in accordance with our general terms of business.

GESTRA AG

P. O. Box 10 54 60, D-28054 Bremen
Münchener Str. 77, D-28215 Bremen
Telephone +49 (0) 421 35 03 - 0, Fax +49 (0) 421 35 03-393
E-Mail gestra.ag@flowserve.com, Internet www.gestra.de



GESTRA

Distributor : Energy Technology Co., Ltd.

Tel.: +66 2 721 3860 - Fax.: +66 2 721 3869 - E-mail: sales@energytechnology.co.th - [http:// www.energytechnology.co.th](http://www.energytechnology.co.th)